

As this is the property of MÜLLER GAS EQUIPMENT A/S this must not be passed on to any person not authorized by MÜLLER GAS EQUIPMENT A/S or be copied or otherwise utilized by anybody without MÜLLER GAS EQUIPMENT's expressed written permission.

Flangepakning

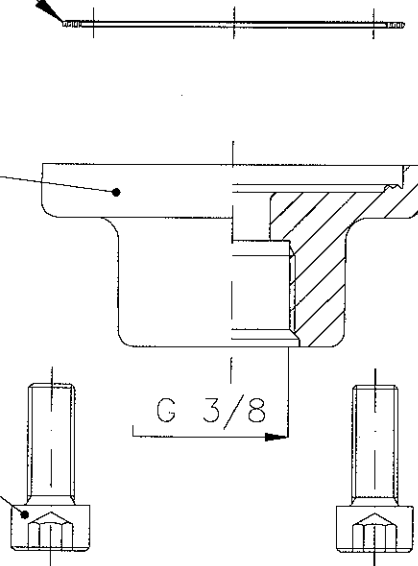
052F3040

Afgangsflange

057Y3173

4 stk. Skruer

004F4572



Date

Replacement of.

Date 24.02.99

Samme nr.

Replacement for.

		Tolerance limits DS/ISO 2768						
		Dec.	,00	,0	None			
Telephone ^{A/S} +4573421212		mm	Fine	Medium	Rough	inspection level	AQL Code	AQL Value
Telefax +4573421207		(0,5) - 3	±0,05	±0,1	±0,2			
I		(3) - 6	±0,05	±0,1	±0,3			
H		(6) - 30	±0,1	±0,2	±0,5			
G		(30) - 120	±0,15	±0,3	±0,8			
F		(120) - 400	±0,2	±0,5	±1,2			
E		(400) - 1000	±0,3	±0,8	±2,0			
D		Matl.				Final inspection		
C		Cleaning/data sheet no.				Dim.		
B		Stress-relieving				Matl.no.		
A		Scale 1:1		Drawn by C.K.O.		Date 21.04.99		No.
Amendment		Date		Surface treatment		No.		
Afgangsflange G3/8						ACAD		No. 057P0380