

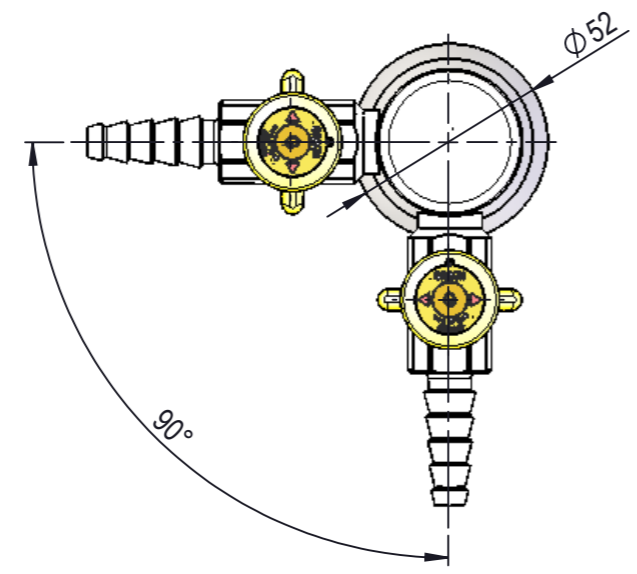
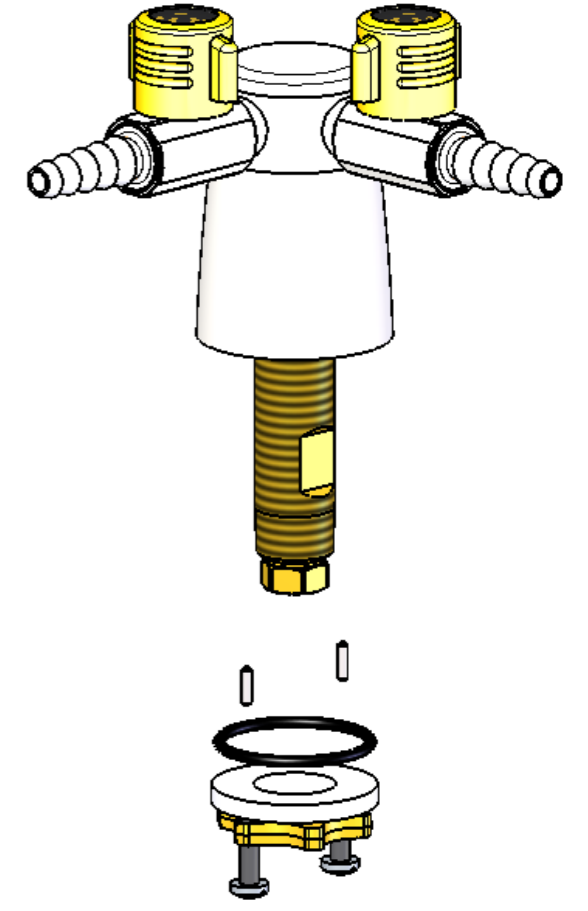
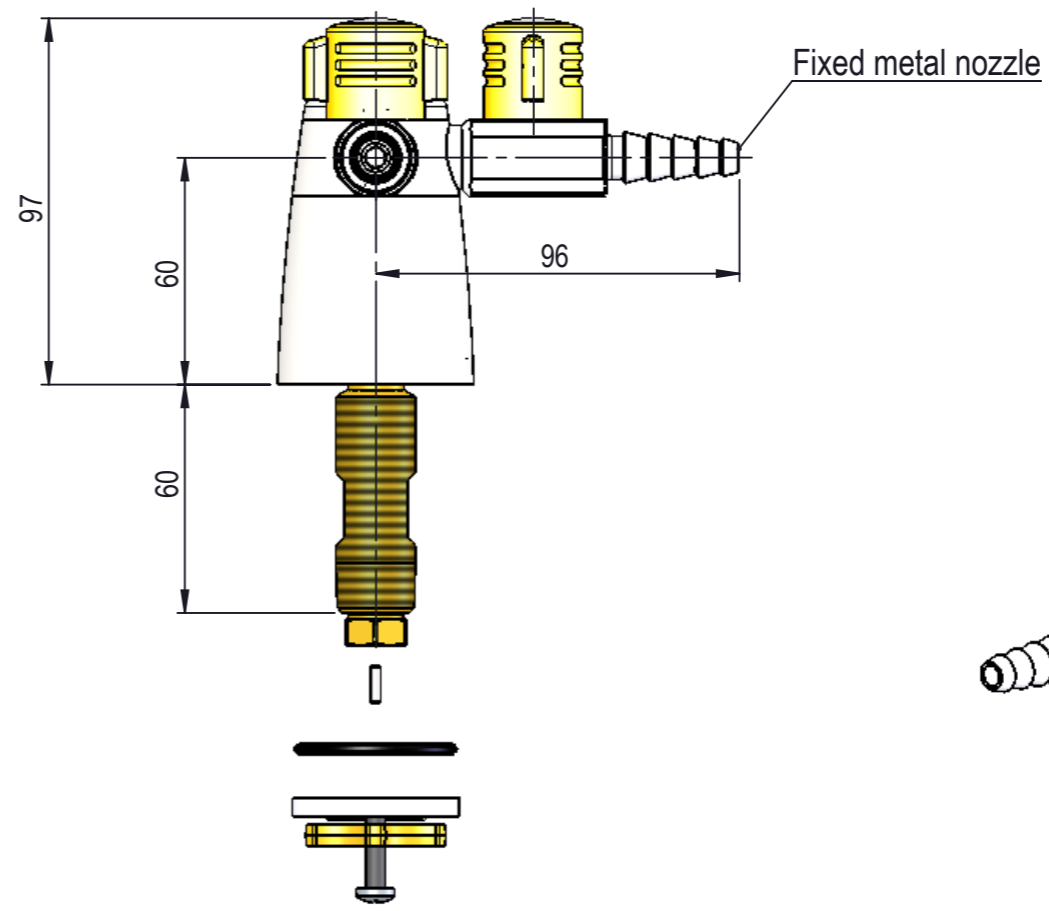
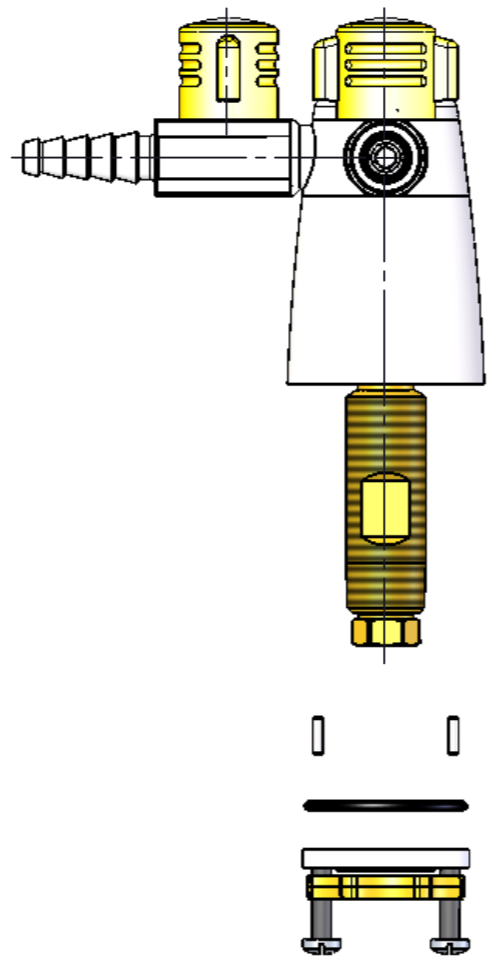
Area of Application:
Turret (90°)
Burning gases
Max. working pressure 7 bar

Details:
"Lift/turn" safety handle, open/close 90°
3-Zone colour, acc. to EN13792:2002

Fixed nozzle
Materials in media contact:
Brass, CW614N
Nickel plated, Brass CW614N
Brass, CW617N
Rubber, NBR
Mineral oil based lubricant
POM

Mounting:
1/2" nut with locking pins o-ring and washer

Inlet / outlet connection:
UniFlex connection for OD 12 mm pipe
DIN 12 898, form A, size 1, 1/2" hose nozzle



MEDIA CODE XX FOR SCHOOL GAS FITTINGS WITH LIFT/TURN-HANDLE ACCORDING TO EN 13792

Media	Media description	Media code XX
G	Natural gas	10
LPG	Propane/butane (liquefied gasses)	12

Description: 2-Valves, Turret (90°), 1-Hole, Fix. Nozzle, UniFlex							Media: Burning gases			
							Comments:			
							Drawing type: Customer drawing			
							Weight: 0.785 Kg			
Rev.	Pos.	Date	TM No.	Design by	Drawn by:	Change:	Designed by: BJP	Drawn by: MWA	Released on TM No.	Date: 25-02-2014
							Format: A3		Drawing No.: 252031880XX-14S	