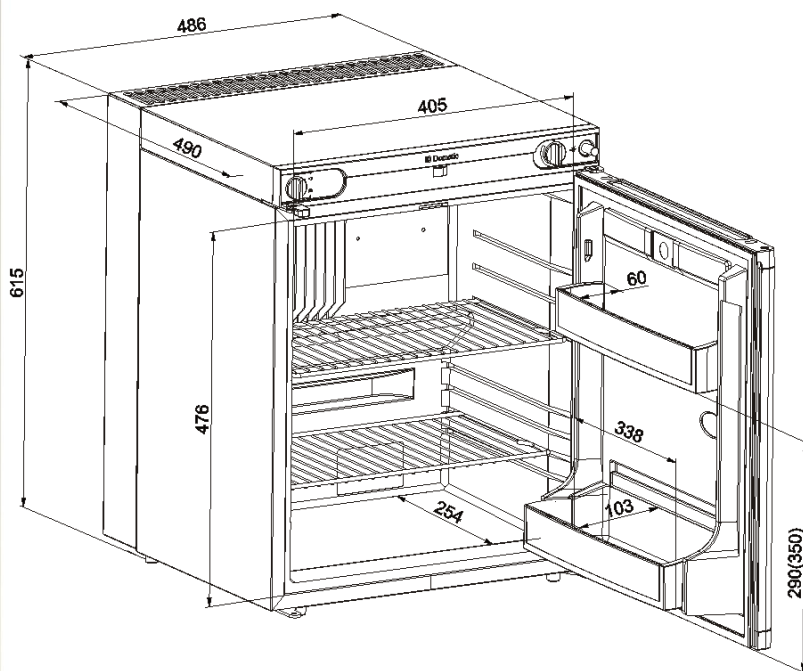


Model: RF60



Technical data

Gross / net volume	61/56 litres
Built-in version	no
Free-standing version	yes
Freezer	no
Net weight	24 kg
Packed weight	26 kg
Packed volume	0,201 m ³
Outer dimension (HxWxD)	615 x 486 x 490 mm
Packed dimension (HxWxD)	670 x 530 x 535 mm
Door panel dimension (HxWxD)	530 x 456 x 2 mm
Outside jacket material	Plastic coated steel
Outside door frame material	ABS
Inside cabinet material	Vacuum formed polystyrol
Inside shelves	2 pcs steel
Door rack for cans	1 pc
Door rack for bottles	1 pc
Ice tray	no

Feet	12 mm
Door closing	magnetic sealing, security latch
Available color	white
Lighting	no
Power input (AC/DC)	110 W / 110 W
Energy consumption (according to EN ISO 15502, i.e.: 25 °C / 5 °C)	1.90 kWh/24h
Energy consumption gas	265 g/24h
Electricity	100 - 240 V - according to the country specific requirement (50-60 Hz)
Defrosting	manual
Ignition	Piezo
Thermostat	Electromechanic, control on mains and gas
Climate class	N
Min / max ambient temperature	16/32°C

Options

Door opening direction	reversible (standard: right)
------------------------	------------------------------

www.dometic.com

 **Dometic**