



Where Fire meets Design

## Trimline 100-120(T)-140

Trimline 140



Trimline100



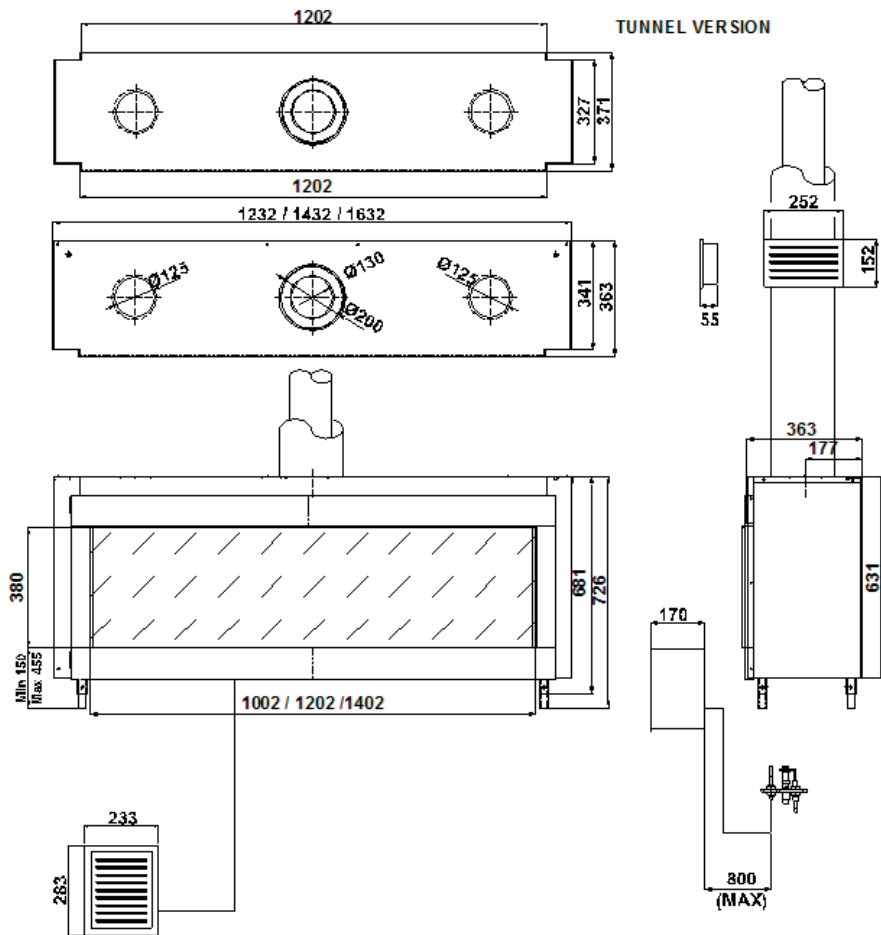
Trimline 120(T)



This unique build-in balanced flue gas fire can be fully integrated in a wall or surround. The name speaks already for itself, the width of this appliance is 100cm, 120cm(also available in tunnel version) and 140cm respectively, which makes it a 'landscape' appliance!

Its special design shows no visible frame or metal parts, so you'll have the sensation of an open fire, with the efficiency of a balanced flue appliance and the glass front can be easily removed for cleaning. This fire fits in all kind of interiors. The flame picture is very realistic and cannot be distinguished from a real fire, using a mixed log set, pebbles or carrara stones. The appliance is available with full remote control (battery operated) with clock thermostat. The controls are placed in a separate box, which makes them easily accessible.

# Trimline 100-120(T)-140



Gascontrol  
build-in cassette



Remote control



Pebbles firebed

## Product- and installation specifications:

- Balanced flue build in appliance.
- Fully frameless build in, so no visible steel parts such as trim and front.
- Different sizes available, for the perfect landscape fire.
- Full automatic gas control with remote control, build in cassette, battery operated with clock thermostat option.
- Standard supplied with convection kit and support iron.
- Always build in with non-combustible materials.
- Appliance only to be installed with the appropriate concentric flue system. Always one meter vertical before continuing chimney layout.
- Walltermination: maximum horizontal layout 3 meters(always use concentric 130-200mm, and 1 meter vertical on appliance).
- Rooftermination: always use first meter concentric 130-200mm, than reduction to 100-150mm is possible.
- Adjustable feet for easy installation.
- Standard supplied with log set.
- Optional with pebbles or carrara stones firebed.

		Trimline 100		Trimline 120(T)		Trimline 140	
		G20/25	G30/31	G20/25	G30/31	G20/25	G30/31
Gastype							
Input	kW	11,5/10,7	9,97/9,35	13/11,9	10,5/10	13,8/13,7	12,3/12,1
Output	kW	7,7/7,2	7,4/6,8	9,4/8,4	7,4/7	9,9/9,4	7,6/7,3
Gasconsumption	m3/h(kg/h G3..)	1,0	0,6/0,58	1,1	0,6/0,7	1,2	0,7/0,65
Weight	kg	106		120		134	
Fluetype *	incl. dia (mm)	C11/C31(130-200)		C11/C31(130-200)		C11/C31(130-200)	
Gascontrol **		AB+C		AB+C		AB+C	
Fireparts ***		S/P/C		S/P/C		S/P/C	

\* BAS= Conventional open fire  
 \* B11= Conventional flue  
 \* C11= Balanced flue roof terminal  
 \* C31= Balanced flue wall terminal  
 \* C31+D= Direct wall terminal possible

\*\* AB= Full automatic remote control  
 \*\* +C= Remote control cassette  
 \*\* HB/AB= Semi automatic remote control  
 \*\* HB= Manual control

\*\*\* S= Logset  
 \*\*\* P= Pebble stones  
 \*\*\* C= Carrara stones  
 \*\*\* L= Lava stones

G20/25= Natural gas  
 G30= Butane  
 G31= Propane

[www.thermocet.nl](http://www.thermocet.nl)

Although this brochure has been compiled with the greatest possible care, Thermocet reserves the right to alter designs, technical specifications and colours.

Version 04.09